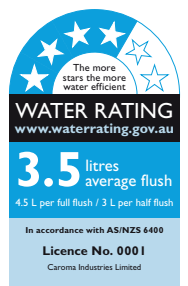
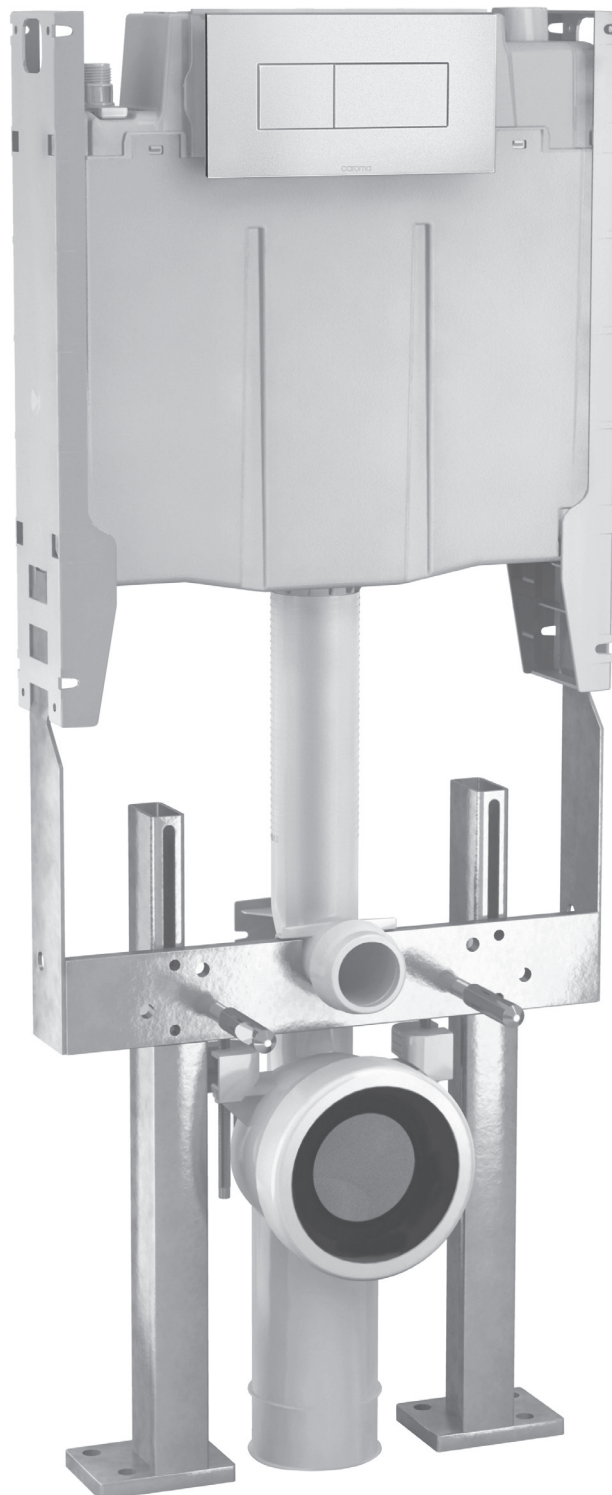


# Invisi II

Dual Flush/Single Flush  
Inwall/Under Counter/Induct/Inceiling Cistern

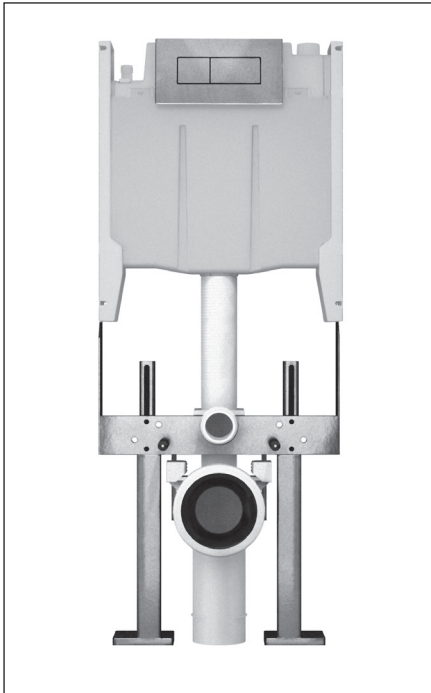


# Invisi II

# Invisi II

## 4.5/3 Dual Flush Inwall/Under Counter/ Induct/Inceiling Installation

### 1.8 Single Flush Urinal Inwall/Induct/Inceiling Installations



A 4.5/3 litre dual flush plastic cistern suitable for inwall, under counter, induct and in ceiling applications. The cistern features a number of contemporary button design options with concealed fixing that are pneumatically operated for ease of operation and installation. The push buttons can be activated remotely up to 4 metres from the cistern, ideal for care and custom applications. The cistern incorporates Caroma Smartflush water saving technology. For installation flexibility the cistern, bracket and specially designed waste pipe have been developed to be installed in a standard 90mm metal or timber stud wall applications. The cistern is adjustable to 6/3 litre dual flush. Extended pneumatic hoses are additional and supplied separately Code No.237702. Alternatively the extended hose is also supplied with the Remote Access Mounting Box kit Code No.237006.

#### Invisi II Dual Flush Installations:

**Inwall** – The cistern can be fitted within a minimum cavity of 90mm with service access within the room via the standard or large button panel. A range of access panel kits are available to suit dual flush, single flush and remote push button positions.

**Under Counter** – The cistern can be fitted under counter with a minimum cavity depth of 90mm for front mount button installations and 100mm from the finished wall face to the counter's internal front face, for top mount button installations, as illustrated in Invisi II page 4 (not suitable for urinals).

**Induct** – The cistern is suitable for behind the wall installations in a single service duct, as illustrated Invisi II page 6.

**Inceiling** – The cistern is suitable for mounting in the ceiling duct where access is provided for adjustment and servicing. This installation requires the fabrication of a flush pipe using 40mm DWV and Flush Pipe Extension components contained in the Remote Mounting Box Kit Code No. 237006, as illustrated Invisi II pages 7 and 9. Due to the high head height only nominated Caroma boxed rim pans should be used with this installation.

**Invisi II Buttons** – Buttons and access plate are not included with the cistern, see Invisi II page 3 for available options.

**Invisi II Inwall/Under Counter/Induct/Inceiling Cistern** – For wall faced pan applications, Code No.237001. For wall faced pan installations the cistern is simply mounted in position with the two brackets supplied which are screwed to the studwork.

**Invisi II Under Counter** – For wall hung pan applications, Code No.237004. The D.403 Invisi II WH Bracket is supplied for concrete floors or stud wall installations. The bracket system is suitable for installation only where non compressible wall materials are used.

**Invisi II Inwall/Induct/Inceiling Cistern** – For wall hung pan applications, Code No.237003. The D.402 Invisi II WH Bracket is supplied for concrete floors or stud wall installations. The bracket system is suitable for installation only where non compressible wall materials are used.

**Invisi II Structural Brick Wall** – For structural brick walls the cistern is fixed inwall and the wall hung pan is fixed using the D.788 Sanifix Bolt Through the Wall Bracket.

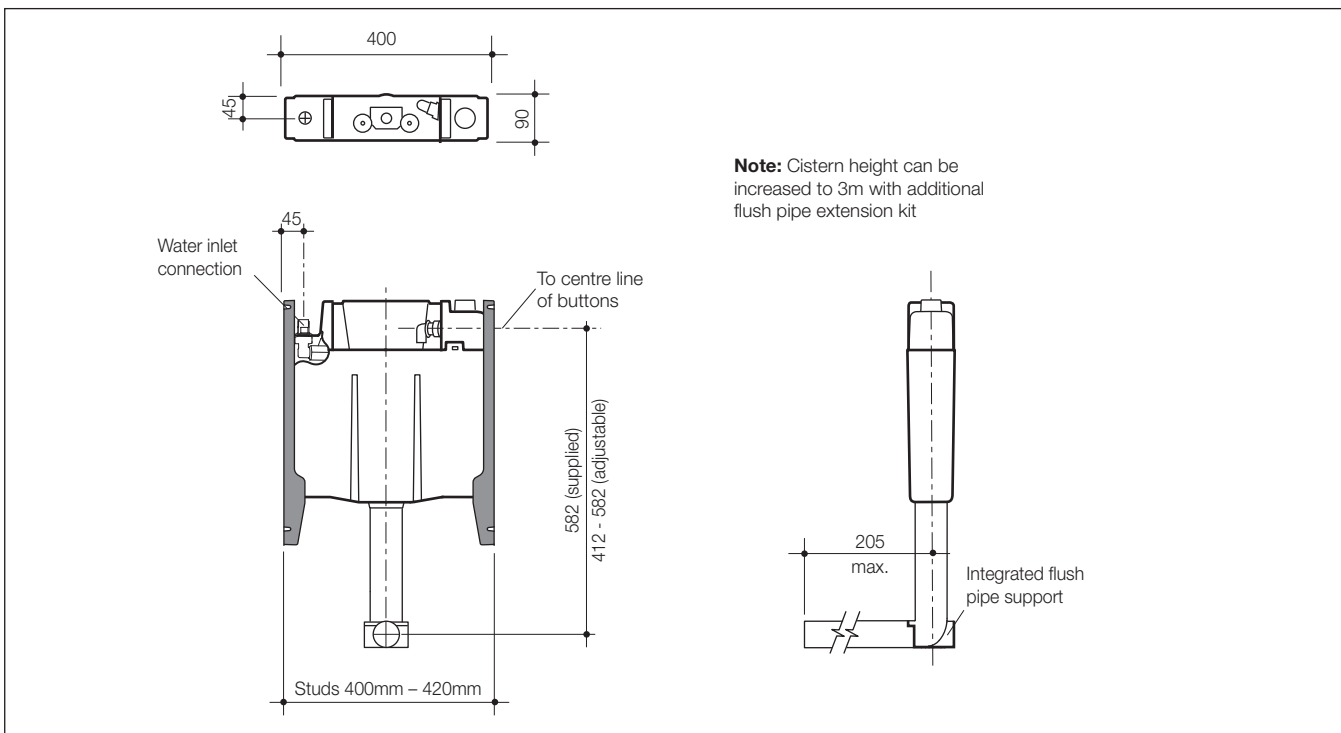
**Invisi II Urinal Single Flush:** The Invisi II 3 star, 1.8 litre single stall urinal cistern is supplied with instructions for conversion to suit two stall and three stall, and 0.8 litre applications. A copper sparge adapter is included in place of a flush pipe.

**Working pressure is minimum 30kPa to maximum 1000 kPa flow pressure.**

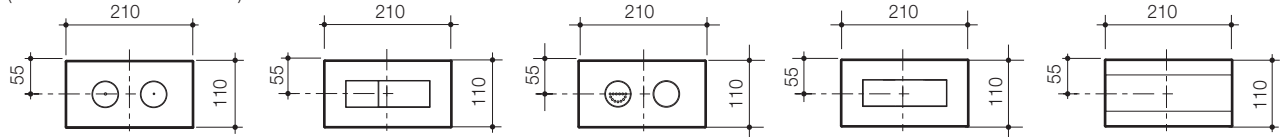
**Colours:** White, chrome and satin chrome button options available see Invisi II page 3.

**Dimensions:** All dimensions are in millimetres and are subject to normal manufacturing tolerances. Caroma pursues a policy of continuing improvement in design and performance of its products. The right is therefore reserved to vary specifications without notice.

Shown with D.403 Invisi II Wall Hung Pan Bracket and Invisi Dual Flush Plate and Buttons.



**Invisi II Buttons and Plates**  
(suitable for cistern access)



**Invisi II Round Dual Flush Plate and Buttons**  
Code No.237010W  
Code No.237010C  
Code No.237010S

**Invisi II Rectangle Dual Flush Plate and Buttons**  
Code No.237020C  
Code No.237020S

**Invisi II Round Care Dual Flush Plate and Raised Buttons**  
Code No.237011C  
Code No.237011S

**Invisi II Rectangle Single Flush Plate and Button**  
Code No.237021C  
Code No.237021S

**Invisi II Blank Access Plate**  
Code No.237024C  
Code No.237024S

**Invisi II Custom Buttons**  
(cistern requires alternative access)



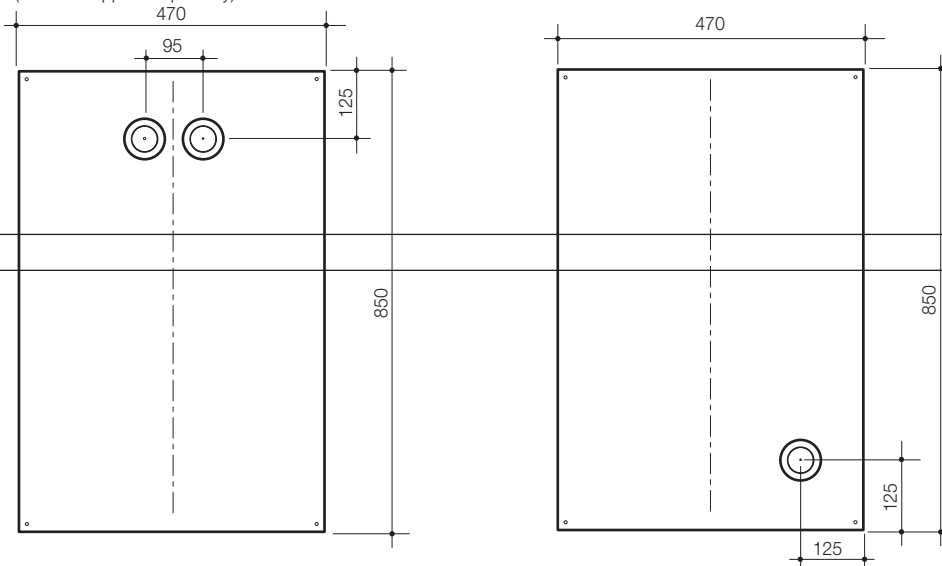
**Invisi II Round Dual Flush Custom Buttons**  
Code No.237013C  
Code No.237013S

**Invisi II Rectangle Dual Flush Custom Buttons**  
Code No.237023C  
Code No.237023S

**Invisi II Round Single Flush Custom Button**  
Code No.237012C  
Code No.237012S

**Invisi II Rectangle Single Flush Custom Button**  
Code No.237022C  
Code No.237022S

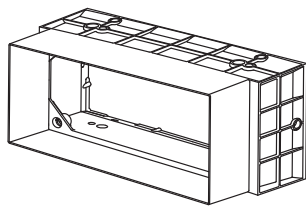
**Invisi II Access Panel Options for Inwall Applications**  
(Buttons supplied separately)



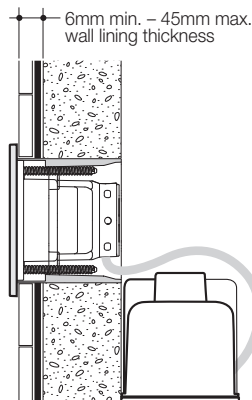
**Large Access Panel Dual Flush**  
— Top  
Code No.237030

**Large Access Panel Single Flush**  
— Bottom  
Code No.237032

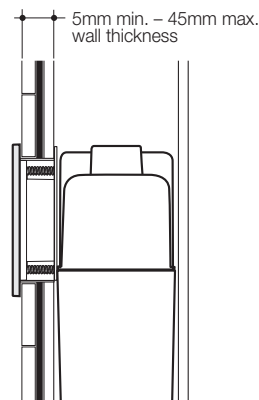
**Note:**  
— Large access panels are recommended for double brick wall installations.



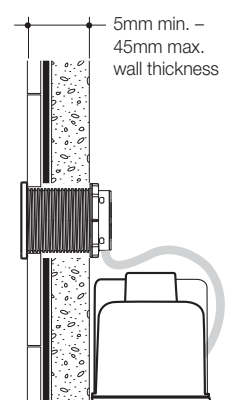
**Invisi II Remote Mounting Box Kit**  
includes 2 x 4m pneumatic hose with flush pipe extension components  
For use with induct or remote mounted button installations.  
Code No.237006  
**4m pneumatic hose**  
Code No. 237702  
(2 hoses required for remote dual flush installations)



Remote Button Plate Installation



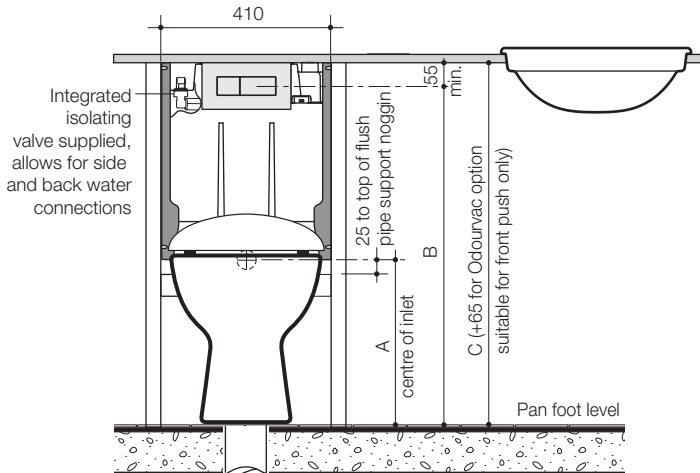
Standard button plate Installation



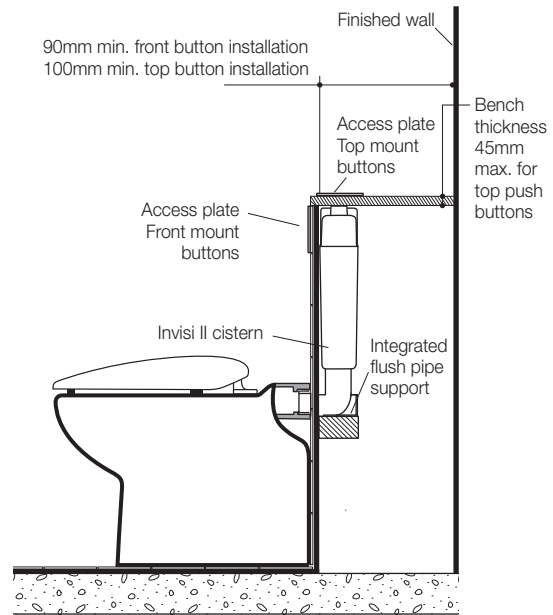
Custom Button Installation

**Under Counter Wall Faced  
Invisi II Smartflush Suite  
Dual Flush Installation**

	A	B	C
Cube	358	795 - 940	850 - 995
Geo	358	795 - 940	850 - 995
Leda	383	795 - 965	850 - 1020



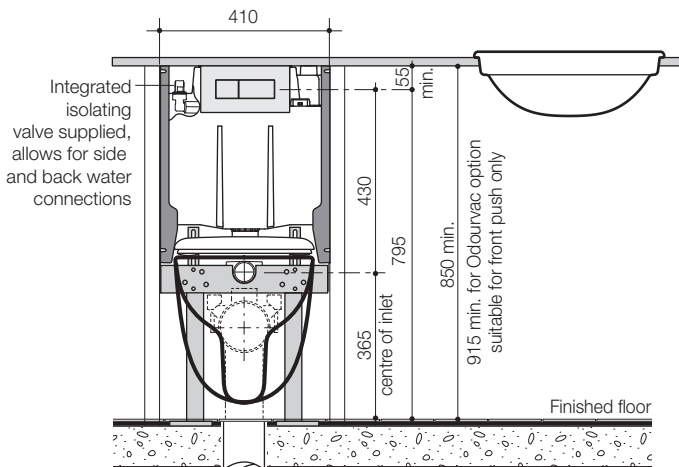
Accurate positioning of the waste pipe relative to studwork is essential.  
Leda Wall Faced pan illustrated



Note: access to cistern internals can be achieved through either front or top mount button plate option.

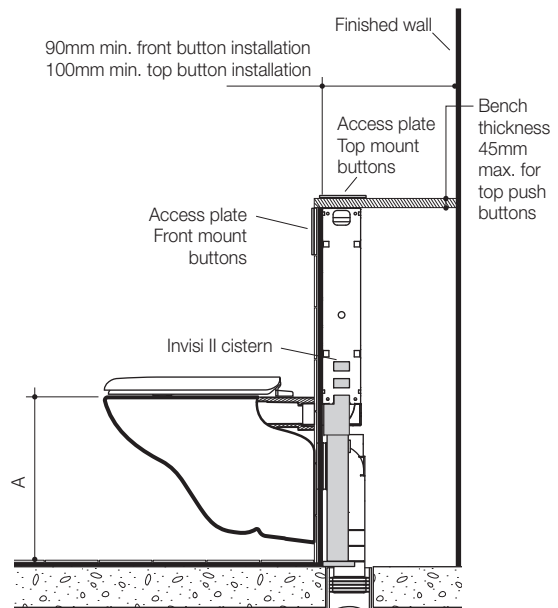
**Under Counter Wall Hung  
Invisi II Smartflush Suite  
Dual Flush Installation**

	A
Metro	408
Cube	408
Walvit	405



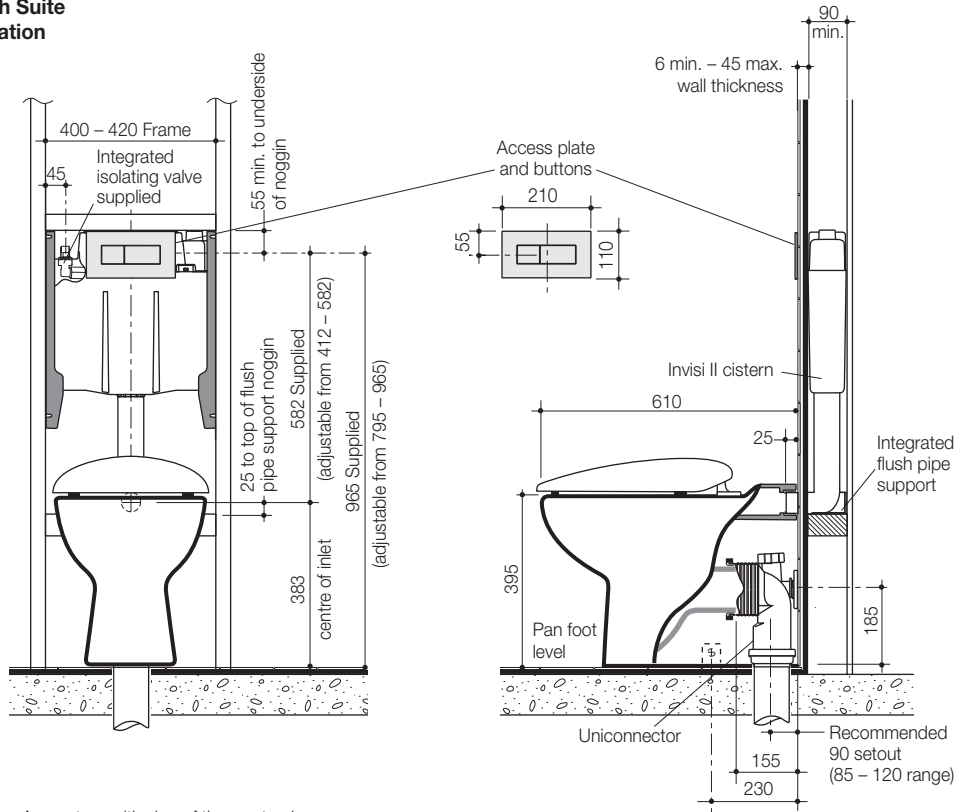
Accurate positioning of the waste pipe relative to studwork is essential.  
Metro Wall Hung pan illustrated

The bracket system is suitable for installation only where non compressible wall materials are used.



Note: access to cistern internals can be achieved through either front or top mount button plate option.

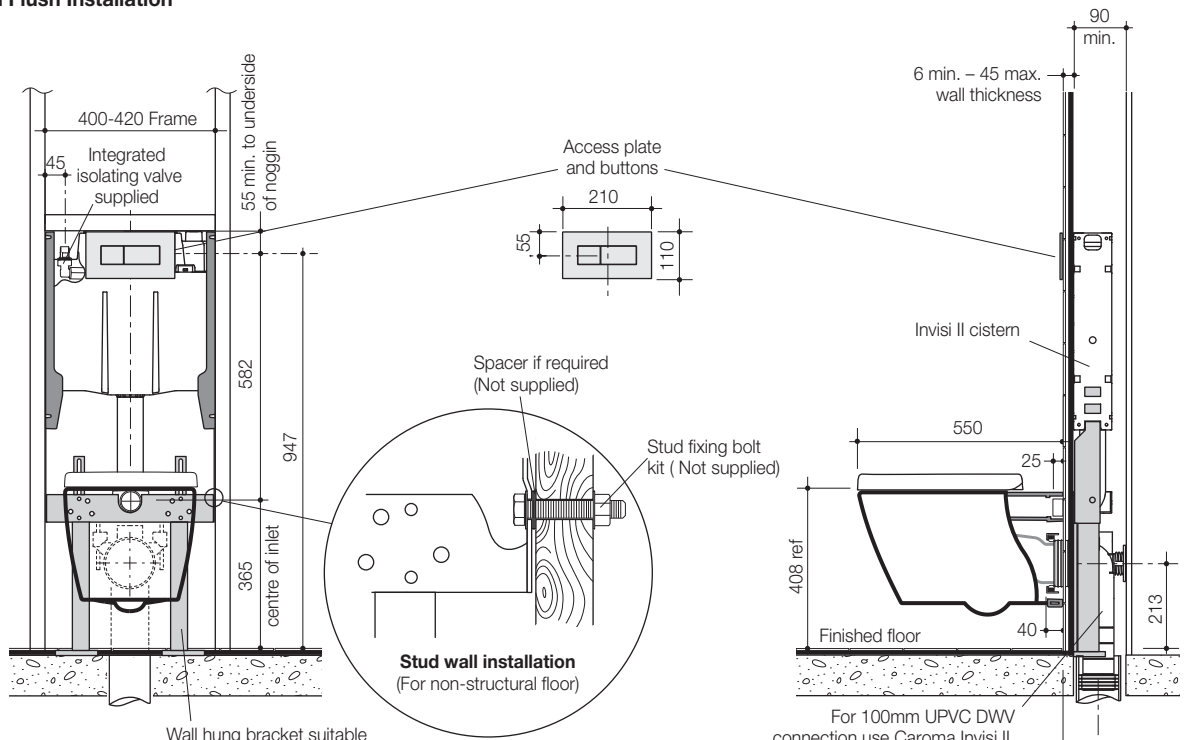
**Inwall Wall Faced  
Invisi II Smartflush Suite  
Dual Flush Installation**



Accurate positioning of the waste pipe relative to studwork is essential.  
Leda Wall Faced pan illustrated

Note: access to cistern internals can be achieved through button plate.

**Inwall Wall Hung  
Invisi II Smartflush Suite  
Dual Flush Installation**



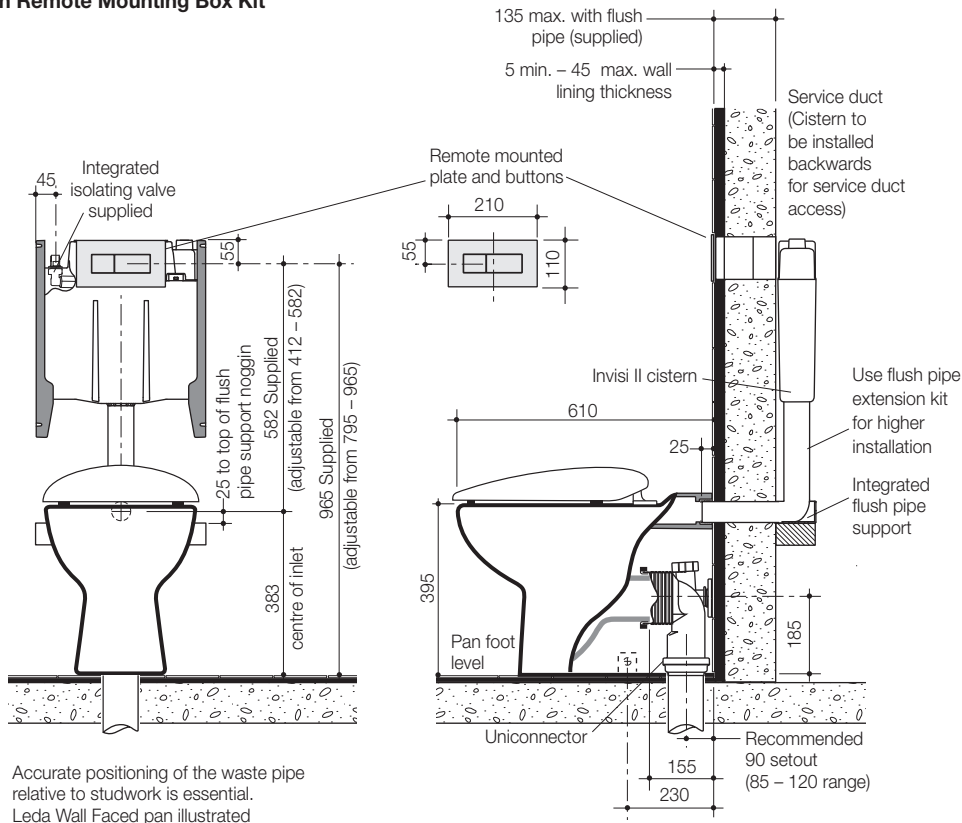
Wall hung bracket suitable for structural slab or stud wall installation

Accurate positioning of the waste pipe relative to studwork is essential.  
Cube Wall Hung pan illustrated

The bracket system is suitable for installation only where non compressible wall materials are used.

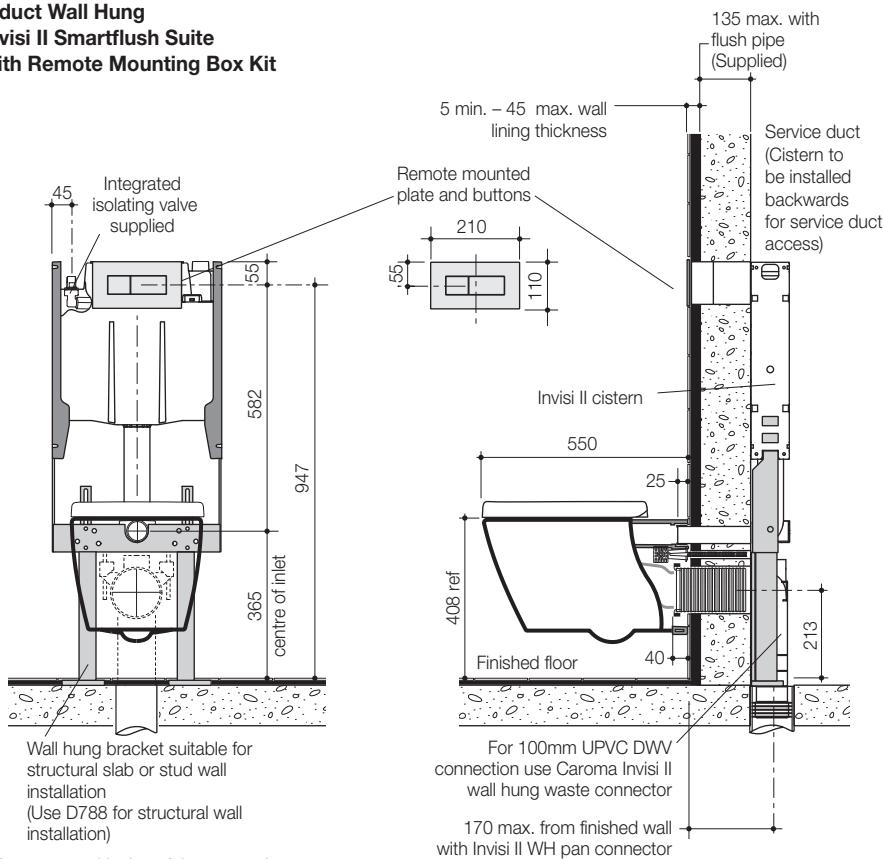
Note: access to cistern internals can be achieved through button plate.

**Induct Wall Faced  
Invisi II Smartflush Suite  
with Remote Mounting Box Kit**

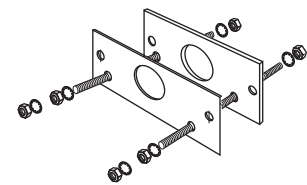


Accurate positioning of the waste pipe relative to studwork is essential.  
Leda Wall Faced pan illustrated

**Induct Wall Hung  
Invisi II Smartflush Suite  
with Remote Mounting Box Kit**



**Structural Wall Installation (Option)**



D788 Sanifix Bolt through wall bracket  
Code No.687788

The bracket system is suitable for installation only where non compressible wall materials are used.

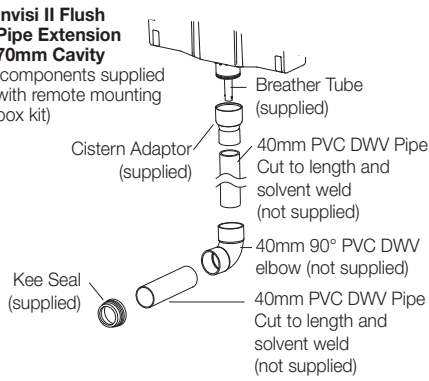
Accurate positioning of the waste pipe relative to studwork is essential.  
Cube Wall Hung pan illustrated

The waste pipe must be accurately centralised to achieve a minimum wall cavity dimension of 90mm.

**Inceiling Wall Faced  
Invisi II Smartflush Suite  
with Remote Mounting Box Kit**

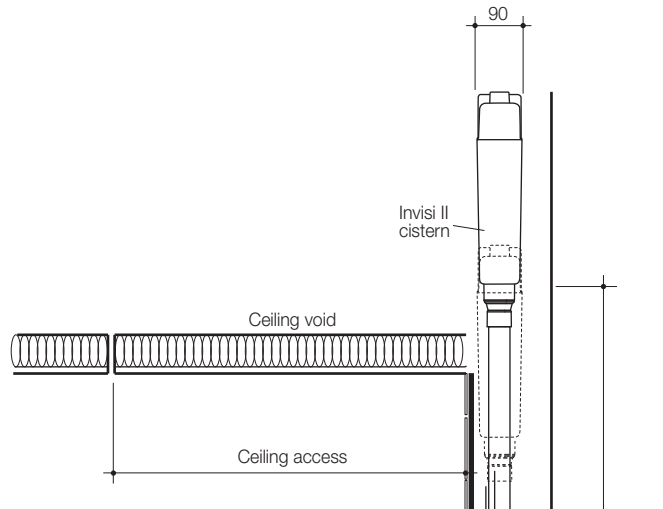
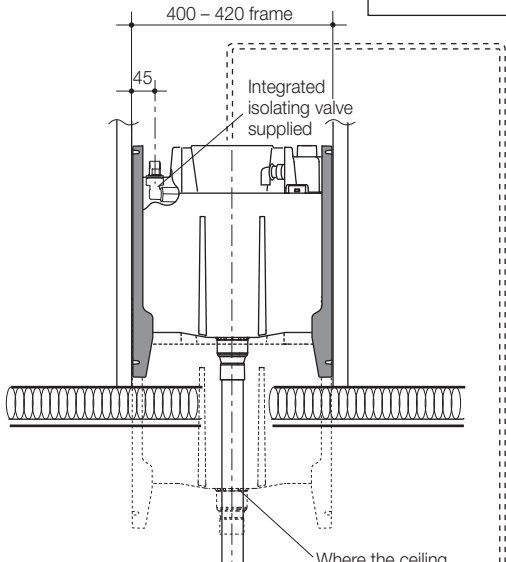
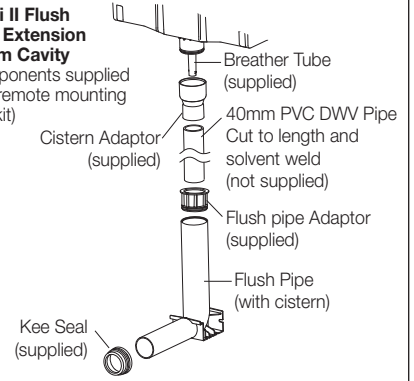
**Invisi II Flush  
Pipe Extension  
70mm Cavity**

(components supplied with remote mounting box kit)



**Invisi II Flush  
Pipe Extension  
90mm Cavity**

(components supplied with remote mounting box kit)



Where the ceiling space is restricted the Invisi II can be dropped into the wall cavity.

Note: Minimum wall cavity 70mm if cistern is in ceiling, 90mm if cistern is in wall cavity, 150mm if uniconnector is in wall cavity.

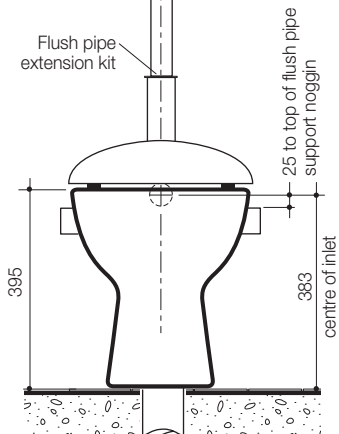
4.5 min. - 45 max. wall cladding thickness

4 metres long (max.) pneumatic tube (Included with remote mounting box kit)

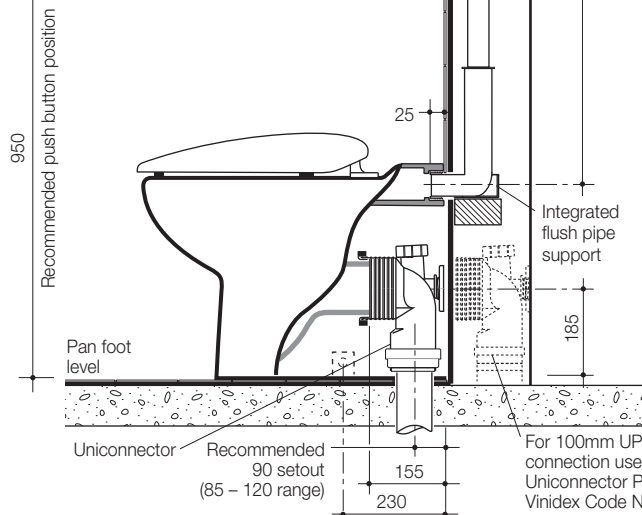
40mm DWV fabricated flush pipe

Remote mounted plate and buttons

3m max.



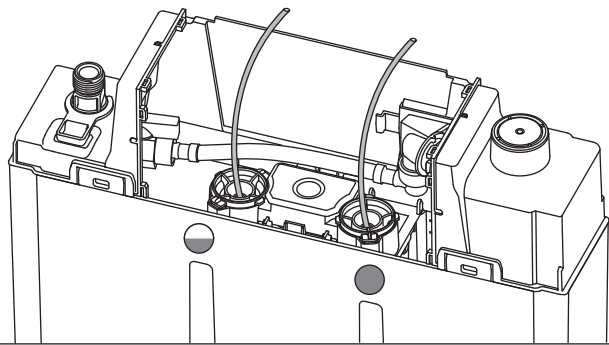
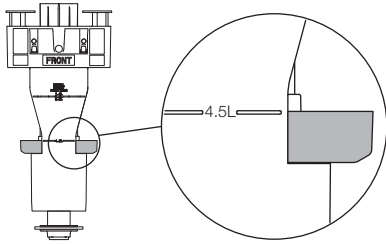
Leda Wall Faced pan illustrated



For 100mm UPVC DWV connection use Caroma Uniconnector PVC adaptor Vinidex Code No.55785

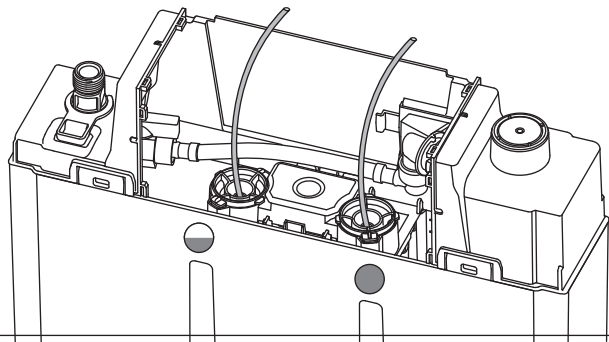
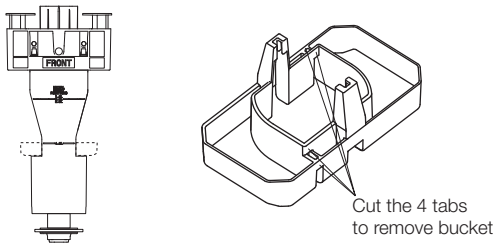
**4.5/3 LITRE DUAL FLUSH - Toilet Suites**

For 4.5/3 litre the bucket is preset. Connect pneumatic hoses to both the half flush and full flush positions.



**6/3 LITRE DUAL FLUSH - Toilet Suites**

For 6/3 litre flush remove outlet valve from cistern and bucket (see below), refit outlet valve in cistern. Connect the pneumatic hoses to both the half flush and full flush positions.



**1.8 LITRE SINGLE FLUSH - Single Stall Urinal**

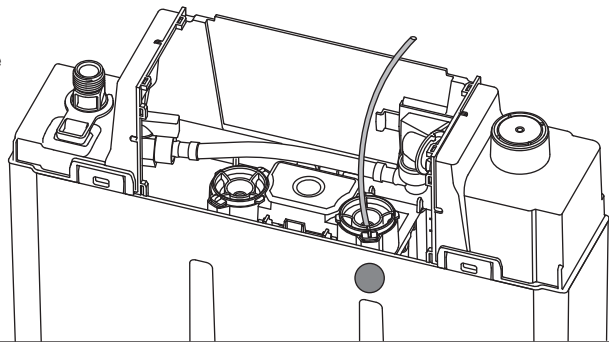
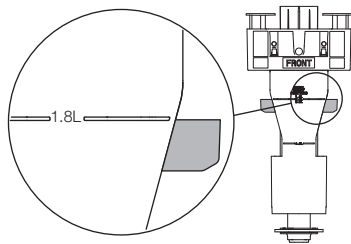
For 1.8 litre flush the bucket is preset. Connect the pneumatic hose to the full flush position.

**0.8 LITRE - Single Stall Urinal**

For the 0.8 litre flush adjust the bucket to the 0.8L mark. Adjust water level to appropriate mark on cistern tank. Connect the pneumatic hose to the full flush position.

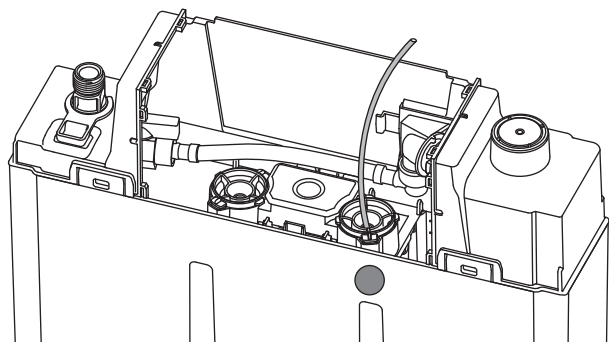
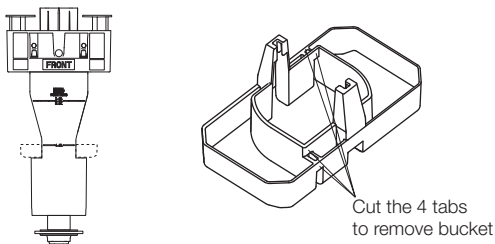
**3.8 LITRE - 2 Stall Urinal**

For 3.8 litre flush, adjust the bucket to the 3.8L mark, and reset the water level to the corresponding mark on the cistern. Connect the pneumatic hose to either flushing position.



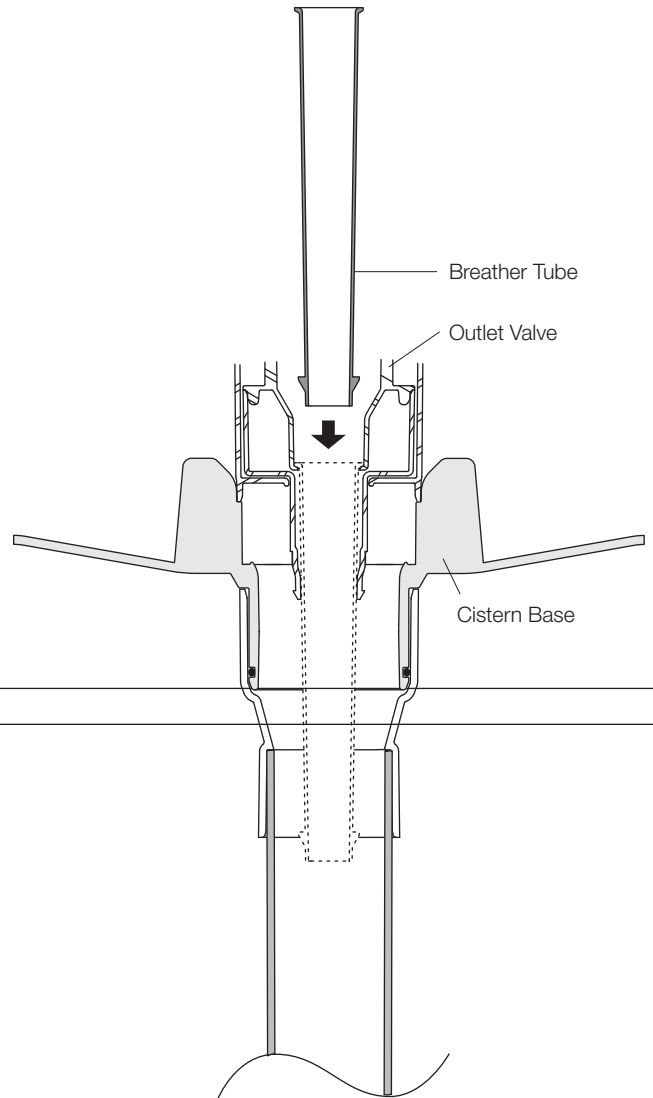
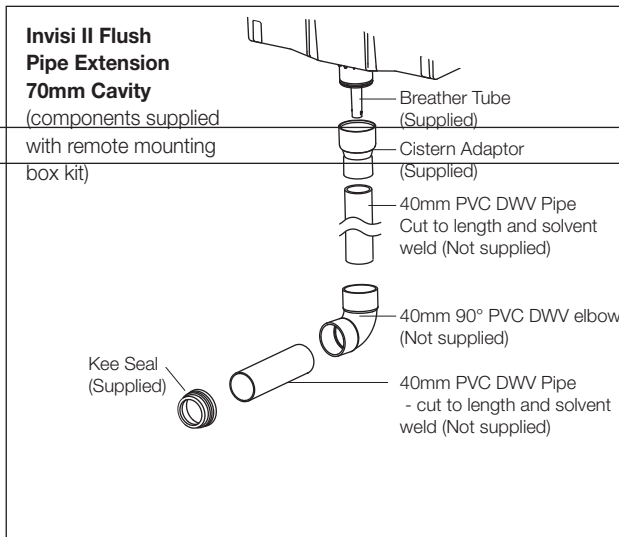
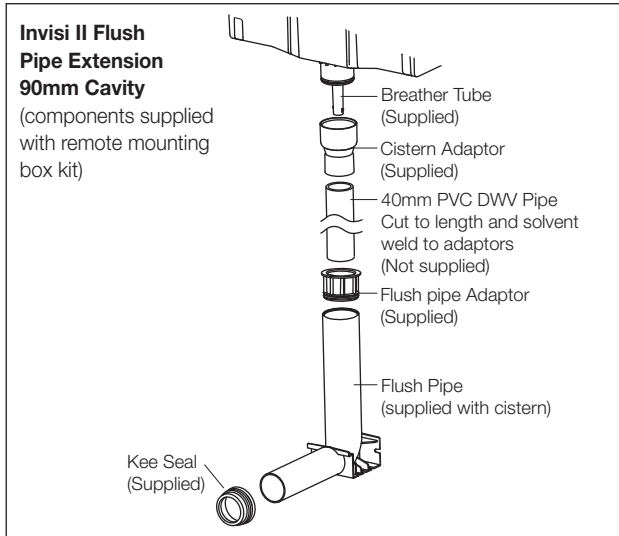
**5.8L LITRE SINGLE FLUSH - 3 Stall Urinal Conversion**

For 5.8 litre flush remove outlet valve from cistern and bucket (see below), refit outlet valve in cistern. Connect the pneumatic hose to either flushing position.



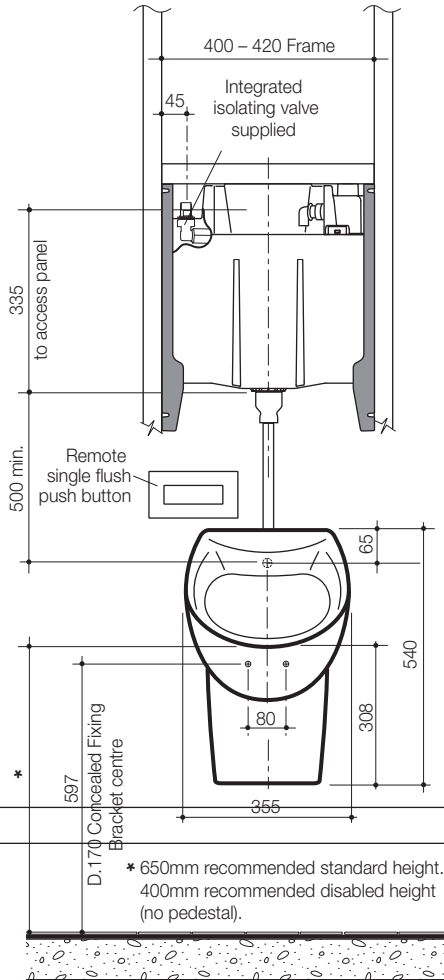


**Flush pipe Extension Components**  
(included in Remote Mounting Box Kit)



**Inwall/Induct Urinal  
Invisi II Installation**

**Inwall Urinal Suite**



**Induct Urinal Suite**

