

# Cosmo Sovereign Care

## 4.5/3 litre Dual Flush Toilet Suite for People with Accessible Applications



A contemporary designed 4.5/3 litre dual flush **Cosmo Sovereign Care** toilet suite installation designed to provide a raised seat height of between 460-480mm for accessible applications . The pan features a concealed trap which facilitates easy cleaning. The versatility of the **Cosmo Care Pan Concealed Trap** makes it ideal for use by both the ambulant person with disabilities and wheel-chair users including wheeled commode chairs.

**Important:** Further reference must be made to **A.S.1428.1-2009 with current amendments to determine circulation space, grab rail and installation requirements. The dimensions in this sheet may change with amendments to the standard.**

**Pan:** **Cosmo Care Pan Concealed Trap** pan 4.5 litre full flush washdown type.

**Traps:** S trap (WELS 4 star rated) or P trap (WELS 4 star rated). Unvented only.

**Inlet:** 50mm back inlet.

**Cisterns:** **Sovereign 4 Star Cistern** (wall fix version). **Important: Working pressure minimum 30kPa to maximum 1000kPa flow pressure. Rain water tank compliant.**

**Buttons:** Round Care Button - Metal (supplied). Other button options sold separately. See section 4.01 for further details

**Inlet Valve and Overflow:** **Standard Bottom Entry Cistern** – available as right hand inlet which is interchangeable and incorporates Quietflow inlet valve. Internal overflow only. **Important: Maximum working pressure 1000kPa flow pressure.**

**Seats:** **Pressalit** or **Caravelle Care** seat option supplied. See section 3.01 SEATS for further details.

**Position of the Pan:** For wheel chair access the installed pan must be a minimum of 800 ± 10mm from the front of the pan to the finished wall and provide a seat height of 460 to 480mm. The projection requirements for people with ambulant disabilities is 610 to 660mm.

**Position of the Cistern:** The underside of the cistern must be 600mm minimum from the finished floor. The push button height should be no greater than 1100mm from the finished floor.

**Colours:** White only.

**Installation:** The installation of the toilet suite shall be in accordance with the normal minimum drainline grade requirements in AS/NZS 3500.2.

**Dimensions:** All dimensions are in millimetres and are subject to normal manufacturing variations. Caroma pursues a policy of continuing improvement in design and performance of its products. The right is therefore reserved to vary specifications without notice.

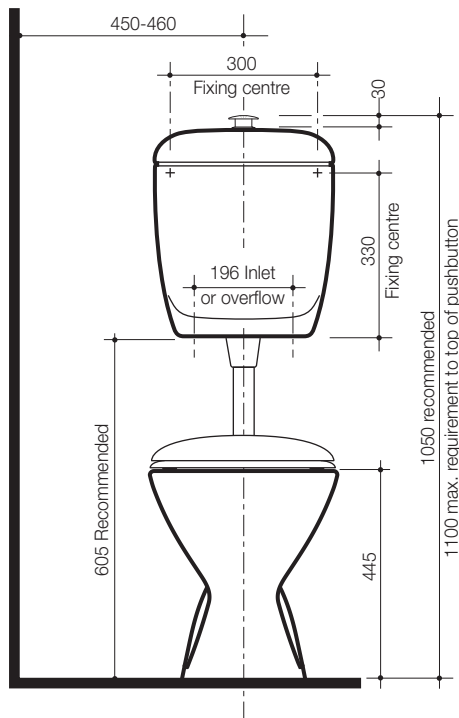


**Note: The projection requirements detail on this illustration are for wheel chair access only. The projection requirements for people with ambulant disabilities is 610 to 660mm.**

All height dimensions to underside of pan, make allowance for mortar bedding.

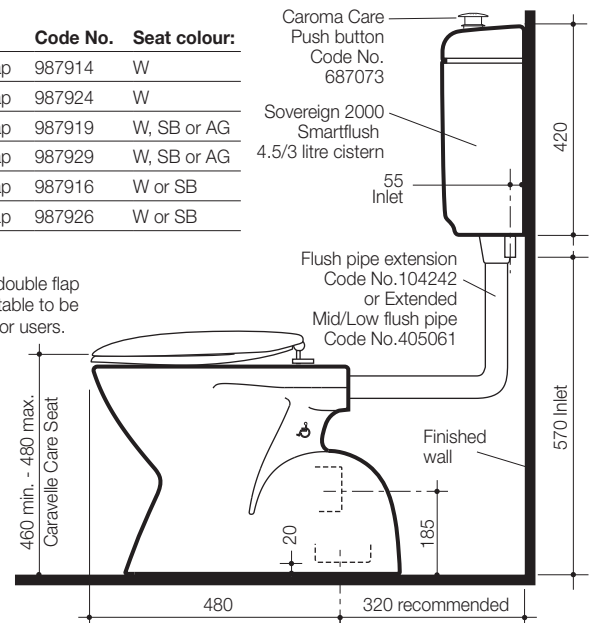
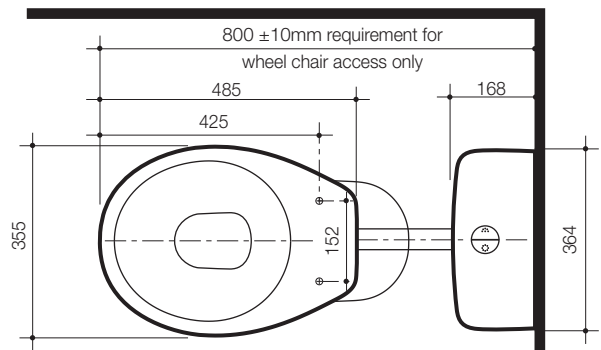
**Mortar bedding:** The pan should be fixed to the floor with a sand cement mixture of 3:1 to a depth of 60mm. When bedded the back of the foot of the pan should be approximately 10mm above the finished floor.

**Screw fixing:** The pan should be bedded with an acetic cured silicone sealant and fixed with corrosion resistant screws and pan guard washers. Use Caroma pan fixing kit. Code No.601150.



**Cosmo Sovereign Care Toilet Suites:**

	Code No.	Seat colour:
With Pressalit Double Flap Seat	S trap 987914	W
	P trap 987924	W
With Caravelle Care Single Flap Seat	S trap 987919	W, SB or AG
	P trap 987929	W, SB or AG
With Caravelle Care Double Flap Seat	S trap 987916	W or SB
	P trap 987926	W or SB



**Note:** The lid on a double flap toilet seat is not suitable to be used as a support for users.