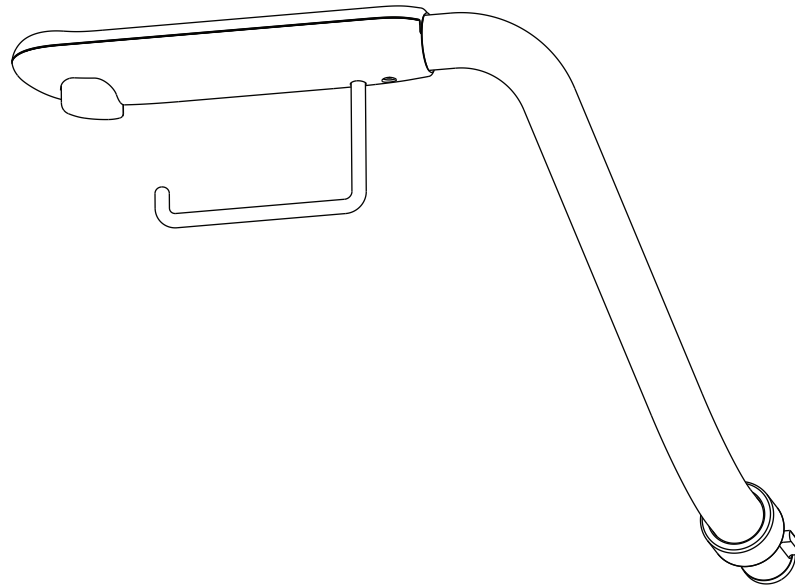


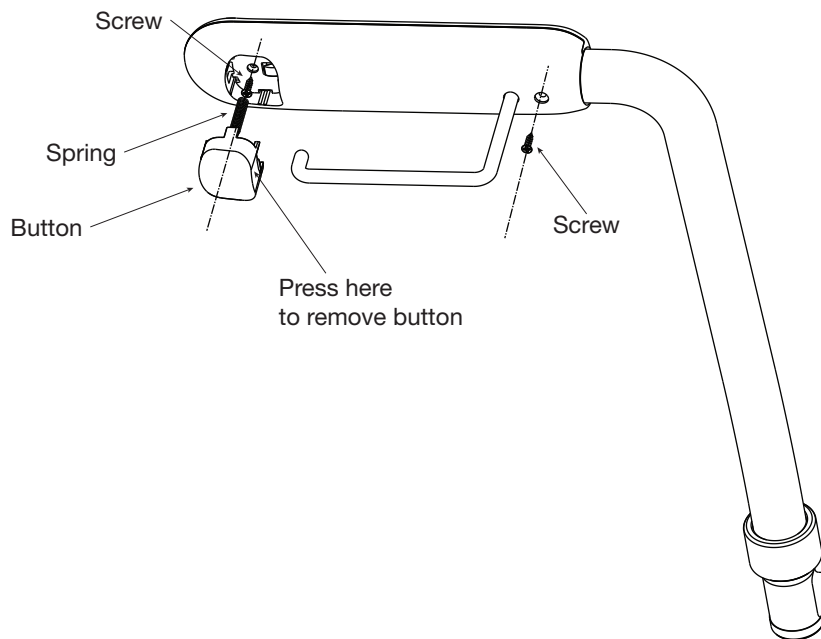
## Right Hand Arm Assembly with Toilet Roll Holder



**Fig. 1**

1. Toilet roll holder comes fitted to the right hand side, however can be swapped to the left hand side if required.

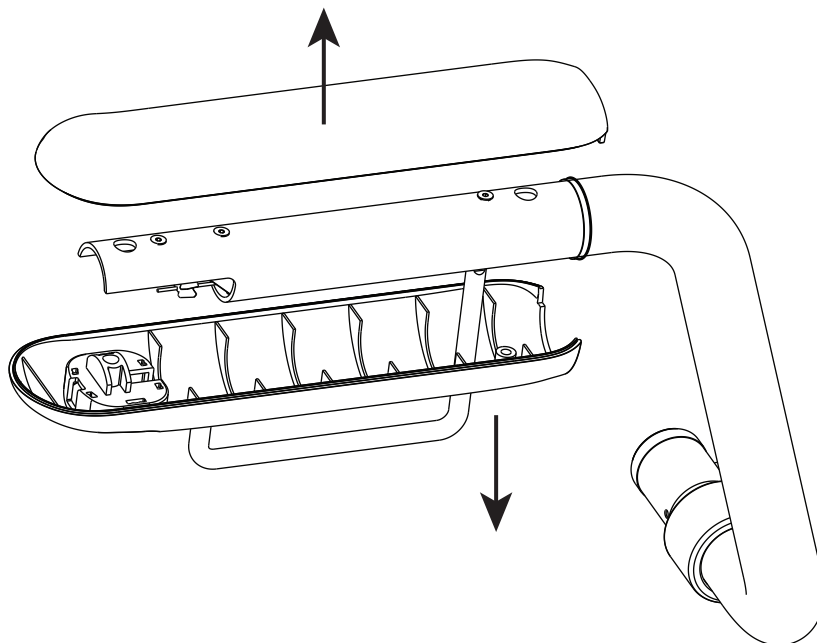
## Button Removal



**Fig. 2**

2. Unclip button with small flat bladed screwdriver. Remove button and springs. Remove two (2) phillips head screws.

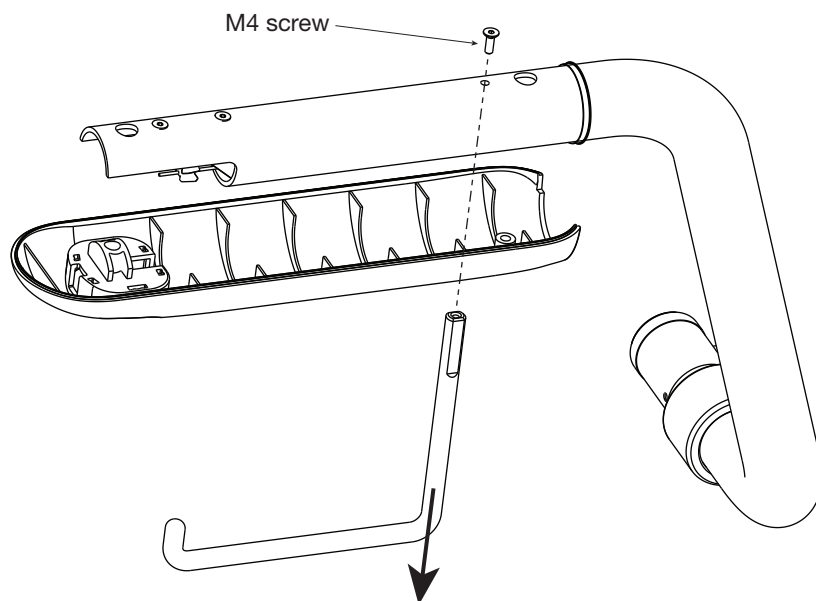
## Handle Cover Removal



**Fig. 3**

3. Slide lower handle down toilet roll holder. Remove top handle.

## Toilet Roll Holder Removal



**Fig. 4**

4. Remove M4 phillips head screw and slide out toilet roll holder.

5. To change to left hand side, remove left hand handle and reverse installation instructions.