

# Liano Vanity Basin

## Ceramic Vanity Basin

**Basin Size:** 415mm x 415mm (nominal).

**Bowl capacity:** 4.8 litres to overflow.

The **Liano** self rimming basin has been designed to meet the needs of the designer market for prestige projects. An architectural minimalist style was adopted for the square **Liano** incorporating a generous bowl area and distinctive tapware platform. The rim is sealed to the counter top with an acetic cured silicone sealant.

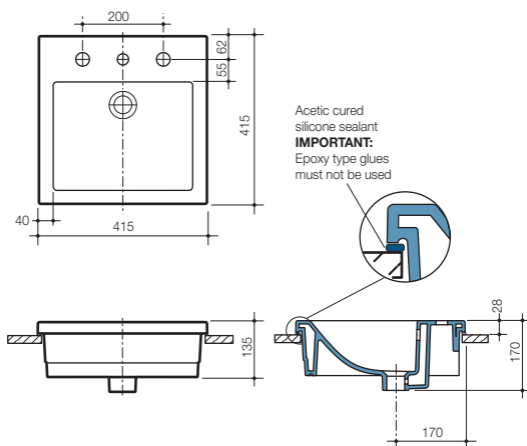
**Tap Holes:** The basin is available in one taphole (centre) and three taphole options.

**Overflow:** Overflow available only. Maximum tap flow rate of 15 litres/minute.

**Fixing:** An acetic cured silicone sealant is used to secure the basin to the counter top. **Epoxy type glues must not be used.** Basin supplied with a template which must be used for the counter top cut-out.

**Installation:** Refer to *Important Information for Plumbers* section.

**Colours:** White only.



Supplied with chrome flush fitting waste and white plug.