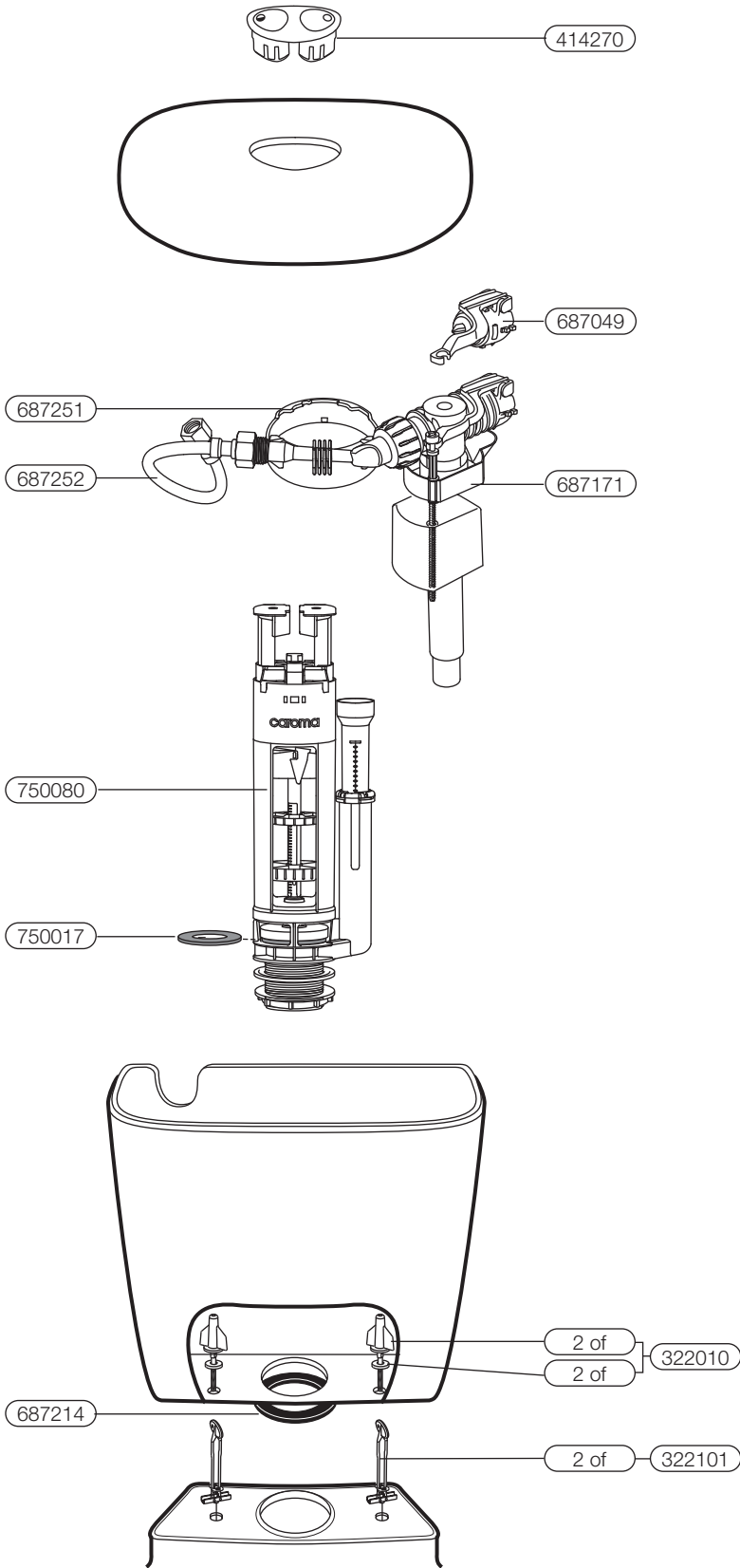


# Spare Parts – Leda 2000 Cisterns



Code	Part Description
322010	Cistern Fixing Kit — Blind Fixing
322101	Toggle Bolts — Blind Fixing
414270C	Round Operating Button
687214	Foam Seal — CC Cistern

M5 Outlet Valve Version	
687049	Unifill Back Entry Inlet Valve (M5) — Repair Kit
687171	Unifill Back Entry Inlet Valve (M5)
687251	Unifill Back Entry Inlet Valve (M5) — Bracket
687252	Unifill Back Entry Inlet Valve (M5) — Flexible Hose
750017	M5 Outlet Valve — Repair Kit
750080	M5 Outlet Valve

Hi-flo Version	
218005	QuietFlow Inlet Valve Seal Kit
405006	Outlet Valve Seal
405166	Button Height Adjuster — Long
415297	Hi-flo Outlet Valve — Interflow Tube and Seal

Duo-Flo Version	
218005	QuietFlow Inlet Valve Seal Kit
405006	Outlet Valve Seal
405165	Button Adjusters — Long
414253	Duo-flo Outlet Valve — Interflow Tube and Seal