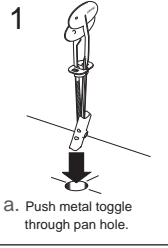


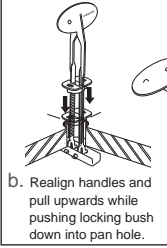
Soft close & Non-soft close Blind Fixing Hinge

Installation Instructions

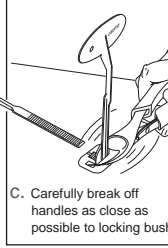
1



a. Push metal toggle through pan hole.

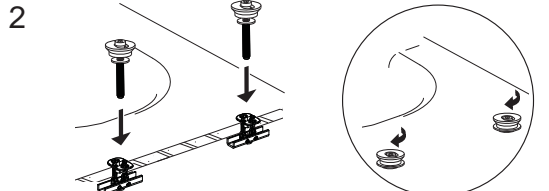


b. Realign handles and pull upwards while pushing locking bush down into pan hole.



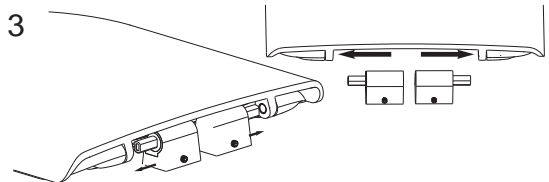
c. Carefully break off handles as close as possible to locking bush.

2



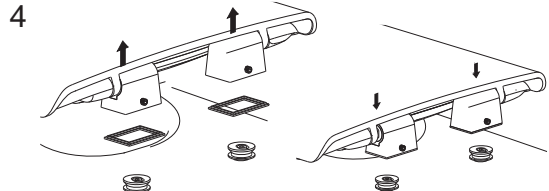
Using the larger allen key provided tighten the Fixing Screw to firmly secure in place. NOTE: The Metal Cap should still be able to rotate.

3




Insert Left & Right Hinge Block fully into holes in seat. Ensure the grub screw fixing hole is at the back.

4



Position Hinge Buffers on the base of each Hinge Block. Lower seat & hinge block assembly onto each Metal Cap.

5



Adjust seat to desired position. Firmly tighten Grub Screw using the smaller allen key provided. Ensure the Hinge Blocks pull down firmly onto Pan.